

ELMO®

EV-2500AF

VISUAL PRESENTER



Millennium
...First into the future
with easy, economical imaging



This product is manufactured at
the ISO9002 certified factory of
ELMO CO., LTD.
Q 00050

ELMO

Visualizing technology since 1921

Never before has this much performance come in a presenter so compact and low price. The EV-2500AF takes Elmo's easy-to-use principal to a new level. Now professional presentations are easy to make anywhere by anyone!



**VISUAL PRESENTER
EV-2500AF**

EXview W D CCD Sensors high performance camera

With an advanced 1/3 'EXview HAD CCD™ Sensor, the EV-2500AF captures and presents two or three dimensional objects with exceptional clarity. The audience will be able to see every detail with smear-free, vivid colour.

Computer connections

The EV-2500AF features an RS-232C port for connection to a computer. This enables you to control various functions of the EV-2500AF from a computer. Further, by using S-VIDEO output, direct projection through LCD projector is possible.



Amazing 24x magnification & one-push auto focus function

High performance 12x optical zoom with the 2x electronic magnification function can continuously enlarge images up to 24 times.



Screen scroll function

Enlarged images can be scrolled up and down, and left and right so there is no need to move the object or visual.





Flip-type close-up lens

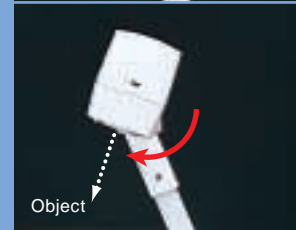
With the flip of the close-up lens attached to the camera head, you can easily switch between close-ups and distant shots. Open the flip forward when you want to take a distant shot.

Flexible focusing area

The EV-2500AF has an excellent capability in focusing on a material which is elevated up to 15cm from the stage. This lets you display larger solid object never before possible.

Convenient rotating camera head

The camera head can be freely rotated as shown below in pictures, so you can display documents on a wall or around the room.



Flexible lighting arm

Cleverly designed arms further enhances functionality. By moving arms, flexible lighting, such as lighting a person in TV conference, is possible.



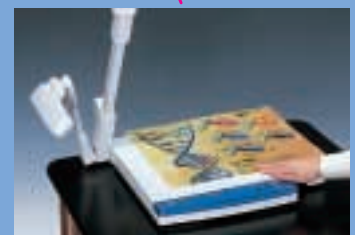
Wireless remote control

The wireless remote control gives you complete control of the presenter's functions, enabling you to give productive presentations while watching both the presentation and the audience's reaction.



Simple operation

Elmo's easy-of-use principle adopts only three buttons on the stage. This allows for incredible easy operation for everyone.



Full flat stage

Full flat stage makes it easier than ever to present large and wide objects. By folding right side arm, you can present as large as a sheet of B4 size paper.



Easy carrying body

The EV-2500AF has been designed as a compact unit. When taking it down for storage or transportation, the arms and the camera head fold to make the unit even more compact. Weighing only 6kgs, the EV-2500AF can be easily carried anywhere for on-the-go presentations.

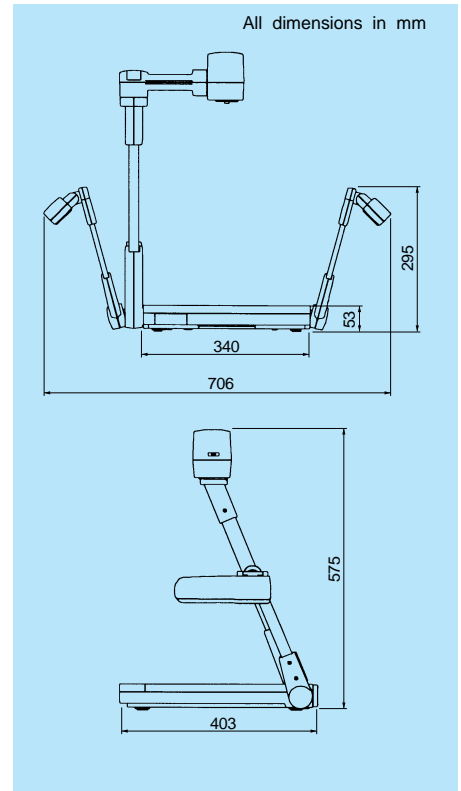
HIGH PERFORMANCE VISUAL PRESENTER EV-2500AF

SPECIFICATIONS

Power source	AC100V-240V 50Hz
Rated current	0.5A-0.3A
Image pick-up element	1/3" Interline-transfer CCD
Effective picture element	752(H) × 582(V)
Total picture elements	795(H) × 596(V)
Shooting area	340mm × 252mm(13.4 × 9.9in.)max., 16mm × 12mm(0.6 × 0.5in.)min.
Resolution(Horizontal)	More than 470TV lines (Y signal with horizontal)
(Vertical)	More than 380TV lines
S/N ratio	More than 48dB
Lens	f=5.8mm to 70mm;(12-time zoom) F1.9 to 2.6
Close-up lens	Built-in
Iris	Auto(with level adjustment by remote control)
Zooming	24-time zoom(continuous zoom mode with automatic switching from the 12-time optical zoom plus electronic zoom with 2 × function)
Focusing	Auto/manual
White balance	Auto
Nega/posi conversion	Built-in (by remote control)
Color/B&W selection	Built-in (by remote control)
Enlargement of the image	Provided(double, can be scrolled)
Head rotation	Built-in
Sync.system	Internal
Video output	S-video jack × 1, composite video jack × 2 (RCA,BNC connector)
Upper lighting unit	Built-in, Fluorescent lamp 9W × 2
DC output	DC 12V(for monitor)
Wireless remote control	Supplied
External control	RS-232C(DSUB 9P connector (male))
Outside dimensions	500mm(W) × 612mm(D) × 99mm(H)(19.7 × 24.1 × 3.9in)-When folded 706mm(W) × 403mm(D) × 575mm(H)(27.8 × 15.9 × 22.6in)-When set up
Weight	6kgs(13.2lbs)

Note : Weight and dimensions are approximate.
Design and specifications are subject to change without prior notice.

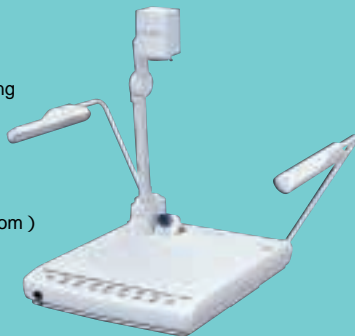
PROFILE



PAL Standard VISUAL PRESENTER

EV-6500AF

Dual camera system for flexible shooting
(Detachable sub-camera for hand-held use w/1.5m cable)
Easy to use on-screen menu display
24x magnification on main camera
(12x optical zoom plus 2x electronic zoom)
7 picture memory(JPEG format) and pause/scroll mode



EV-8500AF **3CCD**

Equipped with 3 chip color CCD camera
More than 750 TV lines(H) resolution
Easy to use on-screen menu display
24x magnification(12x optical zoom plus 2x electronic zoom)
7 picture memory(JPEG format) and pause/scroll mode



ELMO® ELMO CO., LTD.

6-14, Meizen-cho, Mizuho-ku,
Nagoya, 467-8567 Japan
E-mail:foreign-div@elmo.co.jp

Additional technical information is available from any of the following subsidiary companies:

ELMO (Europe) G.m.b.H.

Neanderstr 18, 40233
Düsseldorf, Germany
Tel. 0211-376051-53 Fax.0211-376630
E-mail:elmoeuropa@AOL.com
Web:http://www.elmo.de/

ELMO Mfg. Corp.

1478 Old Country Road,
Plainview, NY 11803-5034, U.S.A.
Tel. 516-501-1400 Fax. 516-501-0429
E-mail:elmo@elmousa.com
Web:http://www.elmousa.com

ELMO Canada Mfg. Corp.

44 West Drive, Brampton,
Ontario, L6T 3T6, Canada
Tel. 905-453-7880 Fax.905-453-2391
E-mail:info@elmocanada.com
Web:http://www.elmocanada.com